

Push-in lug size S00/S0



General technical data		
Product brand name		SIRIUS
Product designation		Push-in lugs for screw mounting
Design of the product		Can be used for 3UF71.0, 3UF71.1 and 3UF71.2
Ambient temperature		
• during operation	°C	-20 ... +70
• during storage	°C	-50 ... +80
Installation/ mounting/ dimensions		
Mounting type		clip-on
Width	mm	10
Height	mm	27
Depth	mm	4.7
Certificates/ approvals		
Certificate of suitability		CE / UL / CSA / CCC

General Product Approval	Declaration of Conformity	Test Certificates	Shipping Approval
--------------------------	---------------------------	-------------------	-------------------



[Miscellaneous](#)

[Type Test Certificates/Test Report](#)

[Special Test Certificate](#)



Shipping Approval	other
-------------------	-------



[Confirmation](#)

other
-------



### Further information

**Information- and Downloadcenter (Catalogs, Brochures,...)**

<https://www.siemens.com/ic10>

**Industry Mall (Online ordering system)**

<https://mall.industry.siemens.com/mall/en/en/Catalog/product?mlfb=3RV2928-0B>

**Cax online generator**

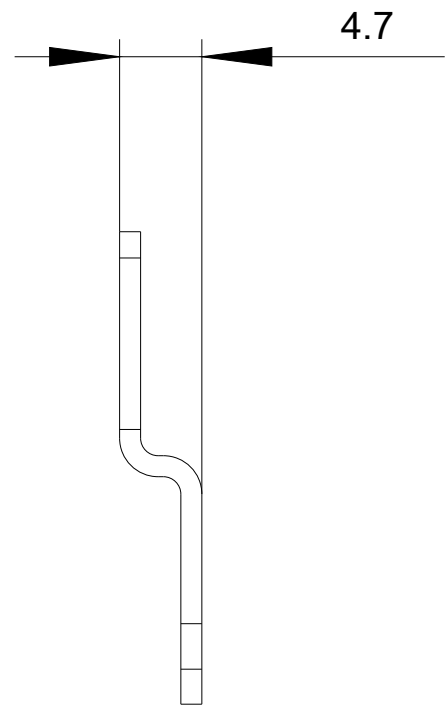
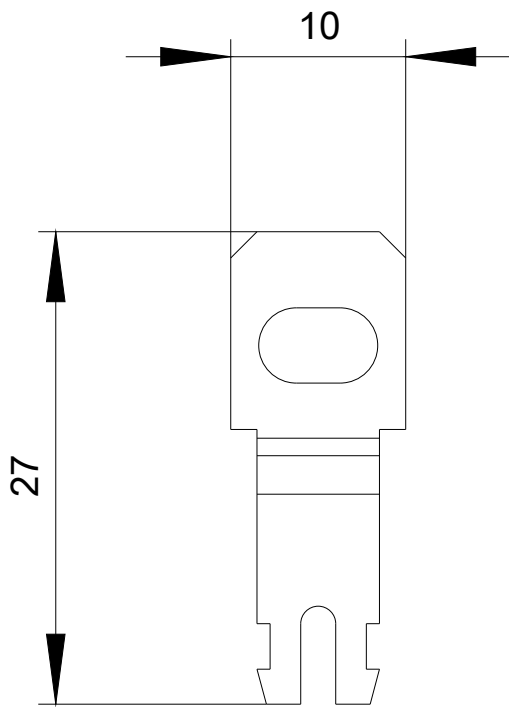
<http://support.automation.siemens.com/WW/CAXorder/default.aspx?lang=en&mlfb=3RV2928-0B>

**Service&Support (Manuals, Certificates, Characteristics, FAQs,...)**

<https://support.industry.siemens.com/cs/ww/en/ps/3RV2928-0B>

**Image database (product images, 2D dimension drawings, 3D models, device circuit diagrams, EPLAN macros, ...)**

[http://www.automation.siemens.com/bilddb/cax\\_de.aspx?mlfb=3RV2928-0B&lang=en](http://www.automation.siemens.com/bilddb/cax_de.aspx?mlfb=3RV2928-0B&lang=en)



last modified:

12/20/2019